

## Engine

Mercedes Benz inline 6 cylinder, turbocharged, intercooled, low emission diesel engine

Gross power	205 kW (275 hp) @ 2 200 rpm
Net power	198 kW (265 hp) @ 2 200 rpm
Gross torque	1 000 Nm (736 lbft) @ 1 200 - 1 600 rpm
Net torque	970 Nm (714 lbft) @ 1 200 - 1 600 rpm
Displacement	6,37 litres (389 cu.in)
Fuel tank capacity	340 l (90 US gal)
Auxilliary Brake	Exhaust Brake Engine Valve Brake (EVB) OM 906
Certification	LA. 111/4-00 meets Europe (EU) step2; OM 906 LA.E3A/1 meets Europe (EU) step 3

## Transmission

Engine mounted, fully automatic ZF planetray transmission with six forward gears and one reverse gear.

Torque Converter	Hydrodynamic with lock-up in all gears
Control Type	6HP592C Ecomat 2 Plus Electronic

## Transfer Box

Manufacturer	Remote mounted
Model	VGR
Layout	13100
Output Differential	Three in-line helical gears. 67/33 torque proportioning, pneumatically lockable on the move.

## Axles

High strength steel fabricated with spiral bevel type gears on the limited slip locking differential and heavy duty outboard planetary gears.

Model	Bell 15T
Brakes	Dual circuit, hydraulically actuated dry disc brake calipers on all axles.
Max brake force	164 kN (36 900 lbf)
Parking Brake	Spring applied, air released driveline mounted disc.
Max brake force	396 kN (89 000 lbf)
Total Retardation	442 kW (593 hp)

## Wheels

### Earthmover

Tyre	23.5R25 standard
------	------------------

## Front Suspension

Semi-independent, quad rubber mounted leading arm linkages supported by nitrogen and oil filled struts.

## Rear Suspension

Pivoting walking beams, distributing equal load through laminated rubber suspension blocks. Each axle is coupled to the chassis by four rubber-bushed links for ideal vertical movement.

## Hydraulic System

Full load sensing system incorporating a ground driven emergency steering pump.

Flow	184 l/min (48.6 gal/min)
Pressure	25 Mpa (3 915 psi)
Filter	10 micron

## Steering System

Hydrostatically actuated, low effort, fast acting.

Two double-acting steering cylinders.

Lock to turns	4.1
Steering Angle	+/- 45°

## \*Crane

*Grapple	Waratah CF885 logging crane grapple. Bell series 35.
* (where applicable)	Maximum opening distance 1 425 mm

## Pneumatic System

Air drier with heater and integral unloader valve, serving park brake and auxilliary functions

System Pressure	850 kPa (123 psi)
-----------------	-------------------

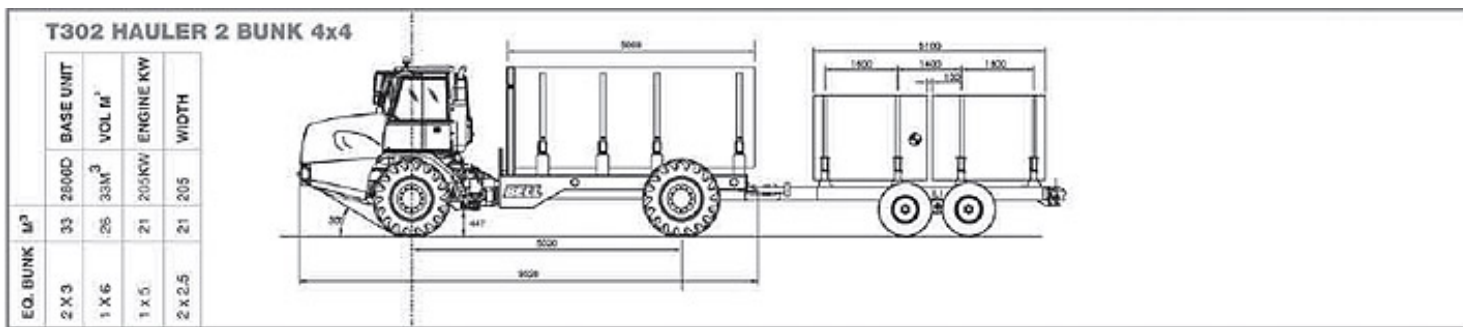
## Electrical System

Voltage	24 V
Battery Type	Two maintenance free permanently sealed
Battery Capacity	2 x 105 Ah
Alternator Rating	28 V 80 A

## Vehicle Speeds

1st	8 km/h
2nd	13 km/h
3rd	22 km/h
4th	31 km/h
5th	44 km/h
6th	53 km/h
R	8 km/h

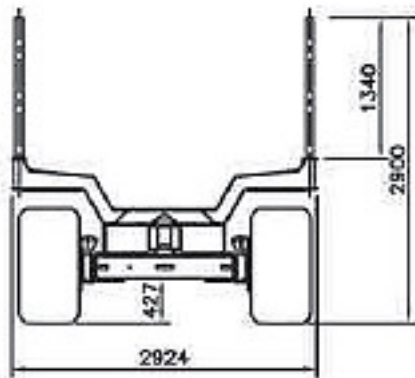
# Line Drawing





## Line Drawing

### REAR VIEW - TRAILERS



#### **NOTE:**

EQUIVALENT BUNK (EQ. BUNK) VOLUMES MUST BE MULTIPLIED BY PRODUCT DENSITY AND STACKING DENSITIES TO ESTIMATE PAYLOADS.