

TIMBER TRUCKS

BUILT FOR THE FOREST



**BELL TIMBER HAULERS
AND LONG RANGE FORWARDERS**

T403 | T302

Gross Power: 205 kW
Torque: 1 000 Nm
*Bunk Capacity (approx.): 40m³
*Depending on configuration

D SERIES

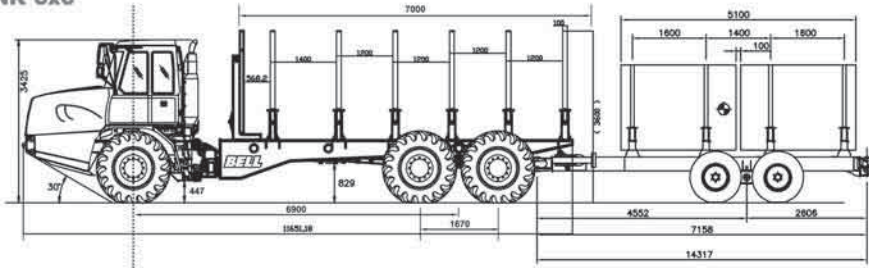
BELL

TIMBER TRUCKS

BUILT FOR THE FOREST

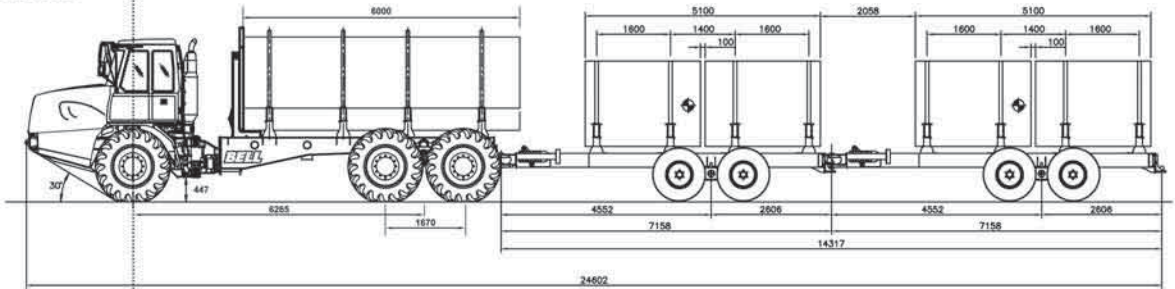
T403 HAULER 3 BUNK 6x6

EQ. BUNK	M ³	BASE UNIT	VOL M ³	ENGINE KW	WIDTH
3 x 2.5	39.6	B25D	40M ³	205KW	205
2 x 3	33				
1 x 6	26				
1 x 10	55				



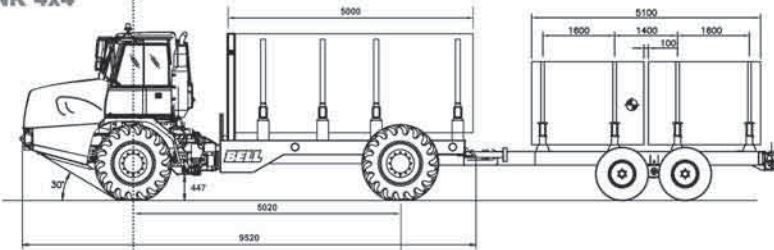
T302 HAULER 2 BUNK 6x6

EQ. BUNK	M ³	BASE UNIT	VOL M ³	ENGINE KW	WIDTH
2 x 3	33	B25D	33M ³	205KW	205
1 x 6	26				
1 x 5	21				
2 x 2.5	21				



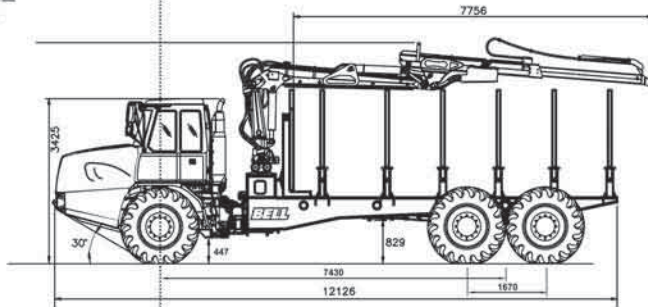
T302 HAULER 2 BUNK 4x4

EQ. BUNK	M ³	BASE UNIT	VOL M ³	ENGINE KW	WIDTH
2 x 3	33	2806D	33M ³	205KW	205
1 x 6	26				
1 x 5	21				
2 x 2.5	21				



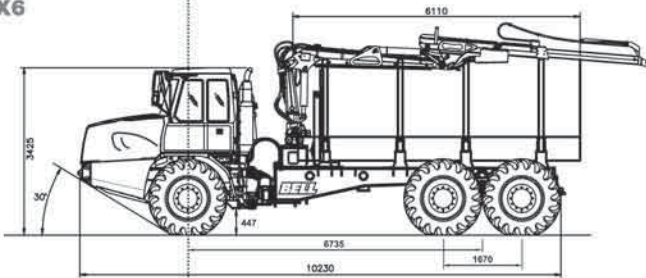
T403 LONG RANGE FORWARDER 6X6

EQ. BUNK	M ³	BASE UNIT	VOL M ³	ENGINE KW	WIDTH
3 x 2.5	39.6	B30D	40M ³	205KW	205
2 x 3	33				
1 x 6	26				
1 x 10	55				



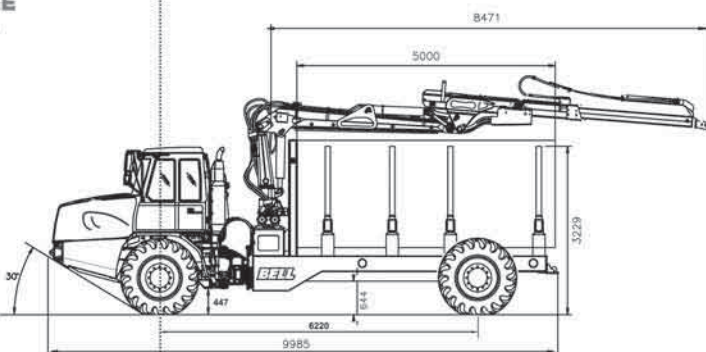
T302 LONG RANGE FORWARDER 6X6

EQ. BUNK	M ³	BASE UNIT	VOL M ³	ENGINE KW	WIDTH
2 x 3	33	B30D	53M ³	205KW	205
1 x 6	26				
1 x 5	21				
2 x 2.5	21				

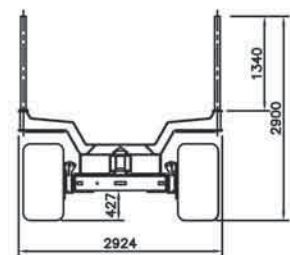


T302 LONG RANGE FORWARDER 4X4

EQ. BUNK	M ³	BASE UNIT	VOL M ³	ENGINE KW	WIDTH
2 x 3	33	2806D	33M ³	205KW	205
1 x 6	26				
1 x 5	21				
2 x 2.5	21				



REAR VIEW - TRAILERS



NOTE:

EQUIVALENT BUNK (EQ. BUNK) VOLUMES MUST BE MULTIPLIED BY PRODUCT DENSITY AND STACKING DENSITIES TO ESTIMATE PAYLOADS.

TIMBER TRUCKS

BUILT FOR THE FOREST

ENGINE

Mercedes Benz inline 6 cylinder, turbocharged, intercooled, low emission diesel engine

Gross power
Net Power 205 kW (275 hp) @ 2 200 rpm
198 kW (265 hp) @ 2 200 rpm

Gross torque 1 000 Nm (736 lbft) @
Net torque 1 200 - 1 600 rpm
970 Nm (714 lbft) @
1 200 - 1 600 rpm

Displacement
Fuel tank capacity 6,37 litres (389 cu.in)
Auxiliary Brake 340 l (90 US gal)
Exhaust brake

Certification Engine Valve Brake (EVB)
OM 906 LA.111/4-00 meets Europe (EU) step2; OM 906 LA.E3A/1 meets Europe (EU) step 3

TRANSMISSION

Engine mounted, fully automatic ZF planetary transmission with six forward gears and one reverse gear. Hydrodynamic with lock-up in all gears.

Torque Converter
Model 6HP592C Ecomat 2 Plus
Control Type Electronic

TRANSFER BOX

Manufacturer Remote mounted
Model VGR
Layout 13100
Output Differential Three in-line helical gears. 67/33 torque proportioning, Pneumatically lockable on the move.

AXLES

High strength steel fabricated with spiral bevel type gears on the limited slip locking differential and heavy duty outboard planetary gears.

Model
Bell 15T
Brakes

Dual circuit, hydraulically actuated dry disc brake calipers on all axles.
Max brake force 164 kN (36900 lbf)
Parking Brake Spring applied, air released driveline mounted disc.

Max brake force 396 kN (89000 lbf)
Total Retardation 442 kW (593 hp)

WHEELS

Earthmover
Tyre 23.5R25 standard

FRONT SUSPENSION

Semi-independent, quad rubber mounted leading arm linkages supported by nitrogen and oil filled struts.

REAR SUSPENSION

Pivoting walking beams, distributing equal load through laminated rubber suspension blocks. Each axle is coupled to the chassis by four rubber-bushed links for ideal vertical movement.

HYDRAULIC SYSTEM

Full load sensing system incorporating a ground driven emergency steering pump.
Flow 184 l/min (48.6 gal/min)
Pressure 25 Mpa (3915 psi)
Filter 10 micron

STEERING SYSTEM

Hydrostatically actuated, low effort, fast acting.
Two double-acting steering cylinders
Lock to lock turns 4.1
Steering Angle +-45°

*CRANE

*Grapple
*(where applicable)
Waratah CF885 logging crane grapple: Bell series 35
Maximum opening distance 1425 mm

PNEUMATIC SYSTEM

Air drier with heater and integral unloader valve, serving park brake and auxiliary functions
System Pressure 850 kPa (123 psi)

ELECTRICAL SYSTEM


Voltage 24 V
Battery Type Two maintenance free permanently sealed
Battery Capacity 2 X 105 Ah
Alternator Rating 28 V 80 A


VEHICLE SPEEDS


1st	8	5
2nd	13	8
3rd	22	14
4th	31	19
5th	44	28
6th	53	33
R	8 km/h	5 mph





BELL INTERNATIONAL: Tel: +27 (0) 35 907 9431

 Tel: +27 11 928 9700

 Tel: +49 6631 911 30

 Tel: +33 555 89 23 56

 Tel: +34 918 796 019

 Tel: +7 495 771 20 27

 Tel: +44 1283 712 862

E-mail: sales@bellequipment.com - www.bellequipment.com

All dimensions are shown in millimetres, unless otherwise stated between brackets. Under our policy of continuous improvement, we reserve the right to change specifications and design without prior notice. Photographs featured in this brochure may include optional equipment.

Strong Reliable Machines
Strong Reliable Support

BELL